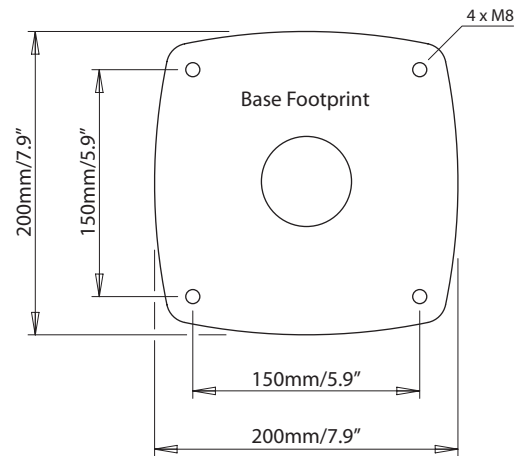
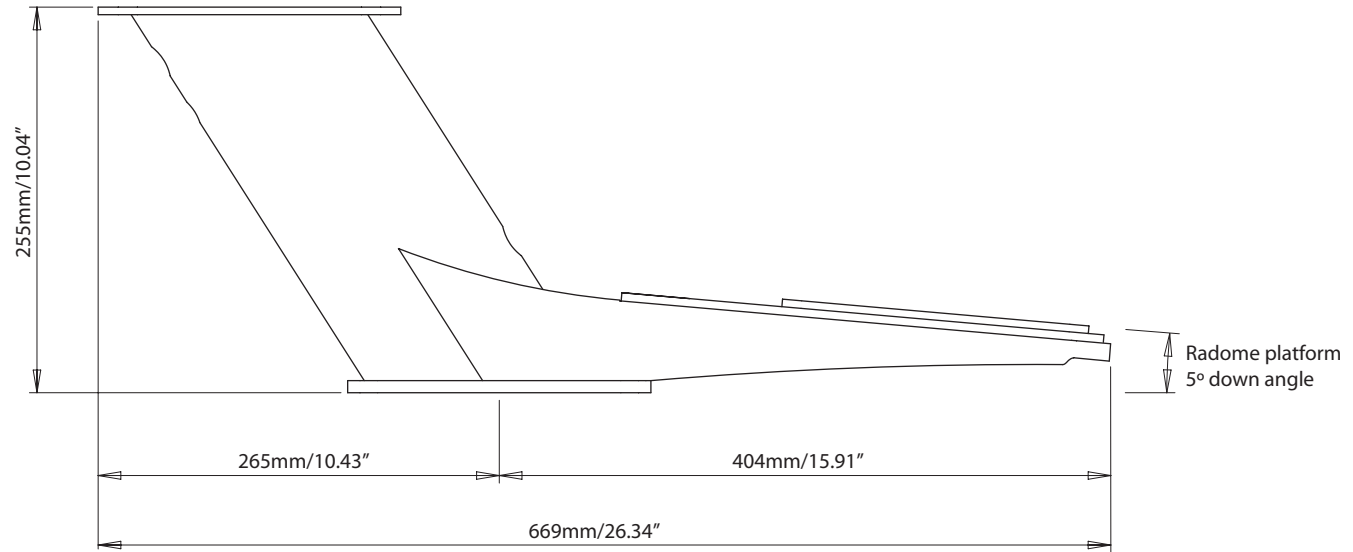
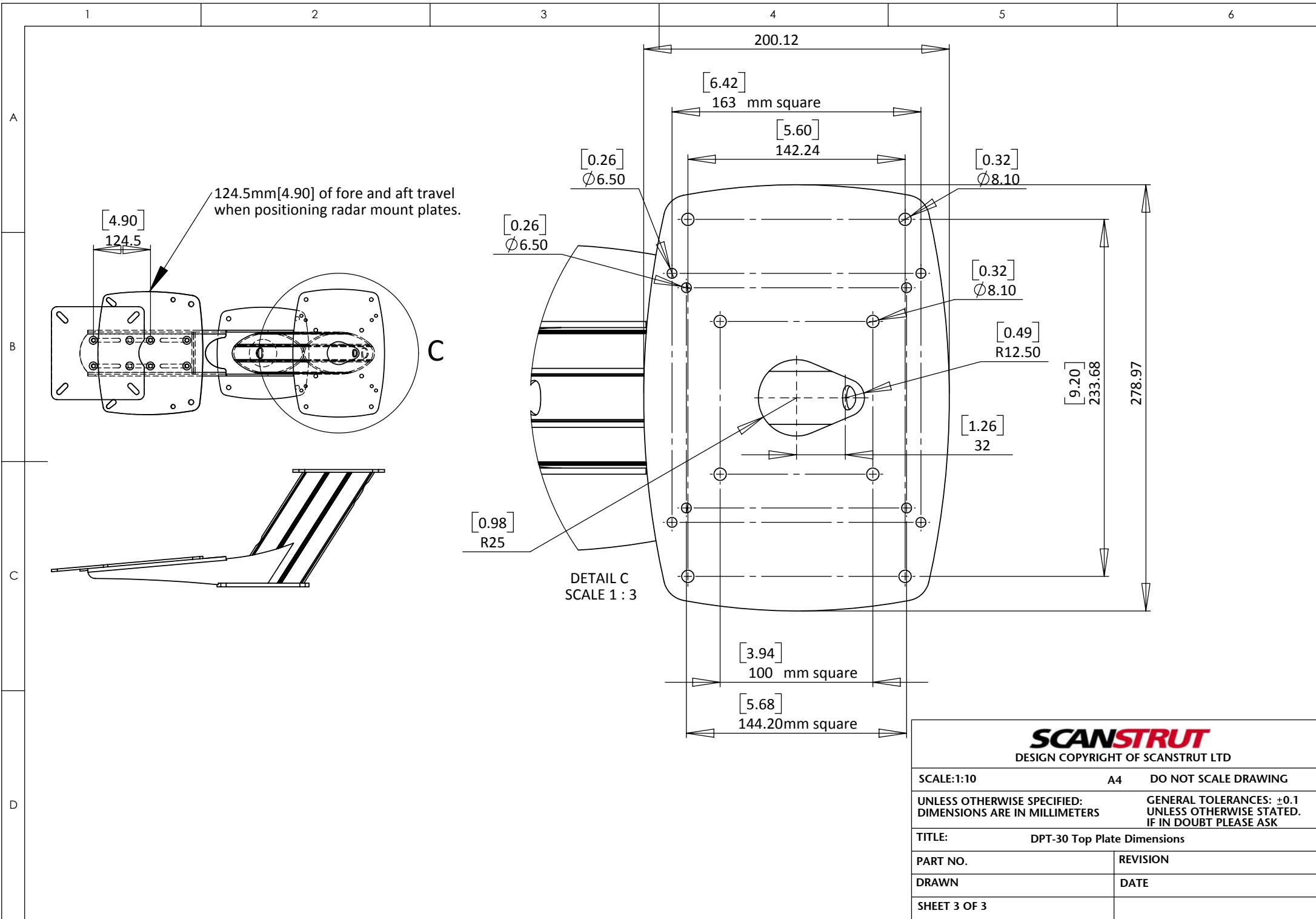
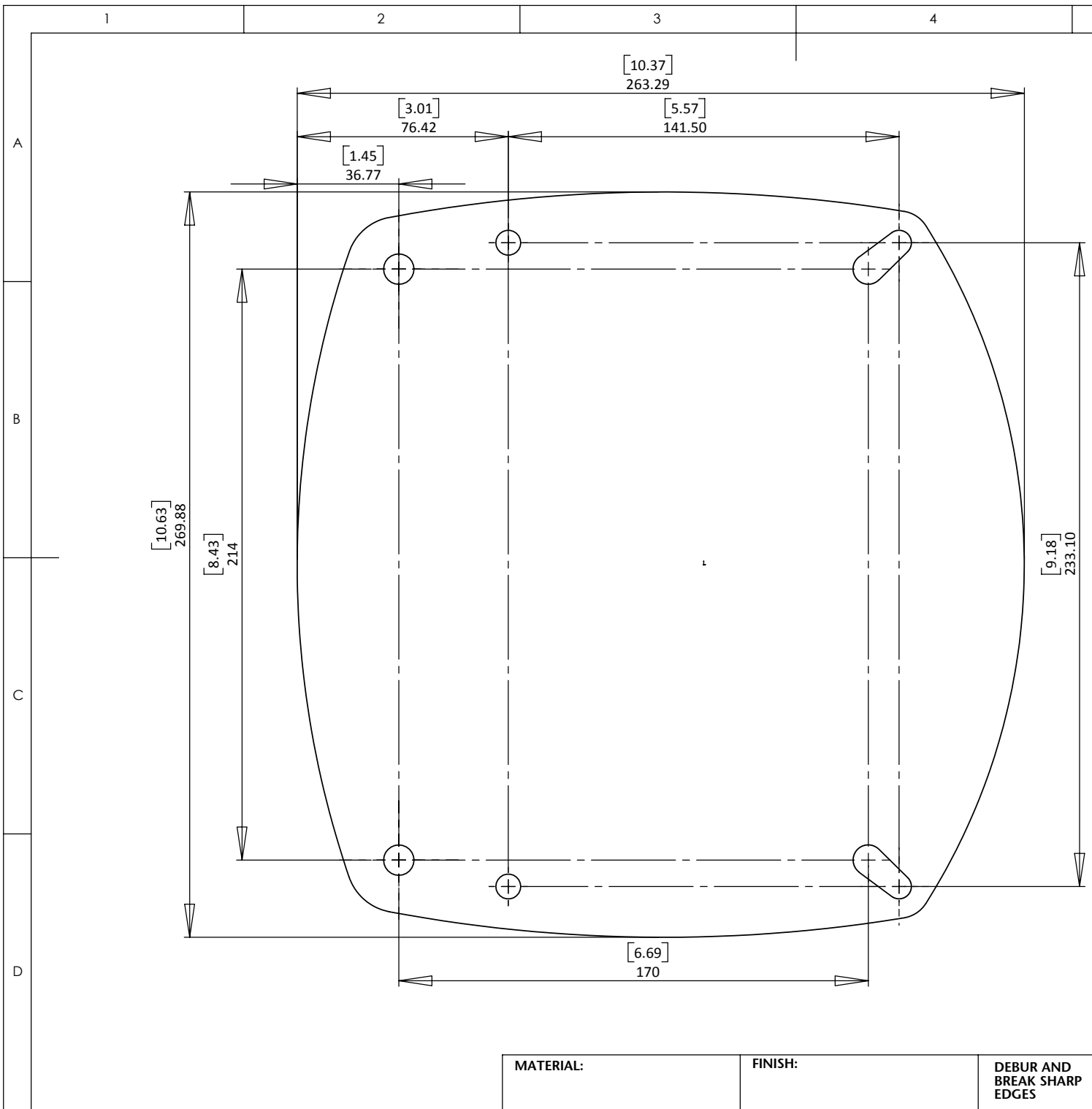


Compact Dual PowerTower® - DPT-SR1/SR2-30

For help & information
email: technical@scanstrut.com
tel: +44 (0) 1803 863800







ZONE REV.		REVISIONS DESCRIPTION	DATE	APPROVED

PLEASE NOTE:
ALL COMPOSITE POWERTOWERS ARE NOT PRE-DRILLED

SCANSTRUT
DESIGN COPYRIGHT OF SCANSTRUT LTD

SCALE:1:2	A4	DO NOT SCALE DRAWING
UNLESS OTHERWISE SPECIFIED: DIMENSIONS ARE IN MILLIMETERS		GENERAL TOLERANCES: ±0.1 UNLESS OTHERWISE STATED. IF IN DOUBT PLEASE ASK
TITLE:		-1 Radar Mount Plate
PART NO.		REVISION
DRAWN	JF	DATE
SHEET 1 OF 2		

MATERIAL:	FINISH:	DEBUR AND BREAK SHARP EDGES
-----------	---------	-----------------------------

